



HBP-0550-4 BLOWER PURGE DESICCANT AIR DRYER GENERAL ARRANGEMENT

TOLERANCES UNLESS
OTHERWISE SPECIFIED:

FRACTIONS = ± 1/4 "
 ANGLES = ± 3°
 INCHES = ± 1/2 "
 FINISH = 250

THE SPECIFICATIONS AND DRAWINGS DISCLOSED HEREIN ARE THE SOLE PROPERTY OF ALTEC AIR, AND SHALL NOT BE COPIED OR USED AS THE BASIS FOR SALE OR MANUFACTURE WITHOUT EXPRESS WRITTEN PERMISSION.

REVISION LOG

| REV. | ECO. | DESCRIPTION | DATE | APPROVED |
|------|------|--------------------|------------|----------|
| C | 1190 | PRODUCTION UPDATES | 10/18/2021 | WS |

DRAWING NO.

AT20-552

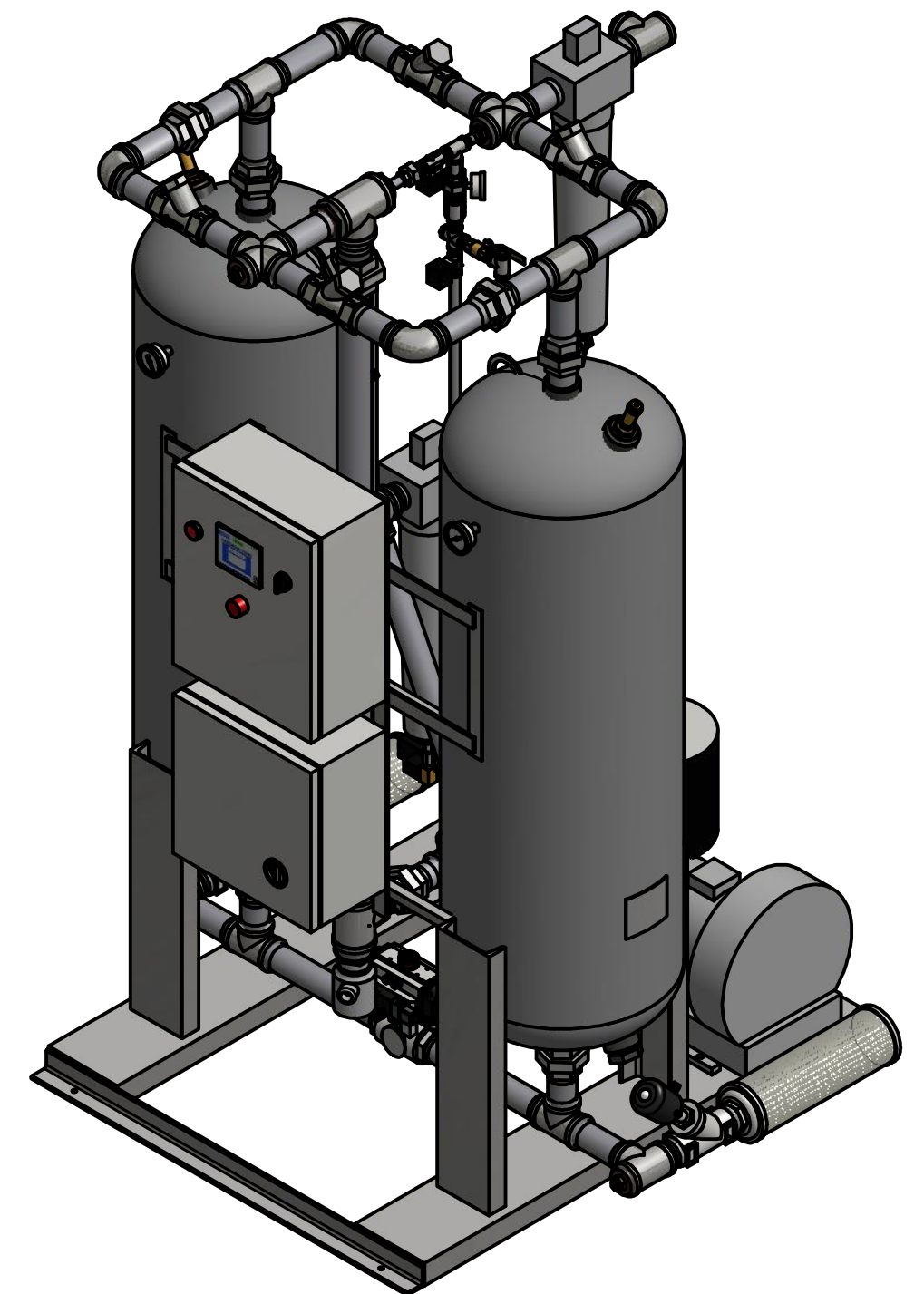
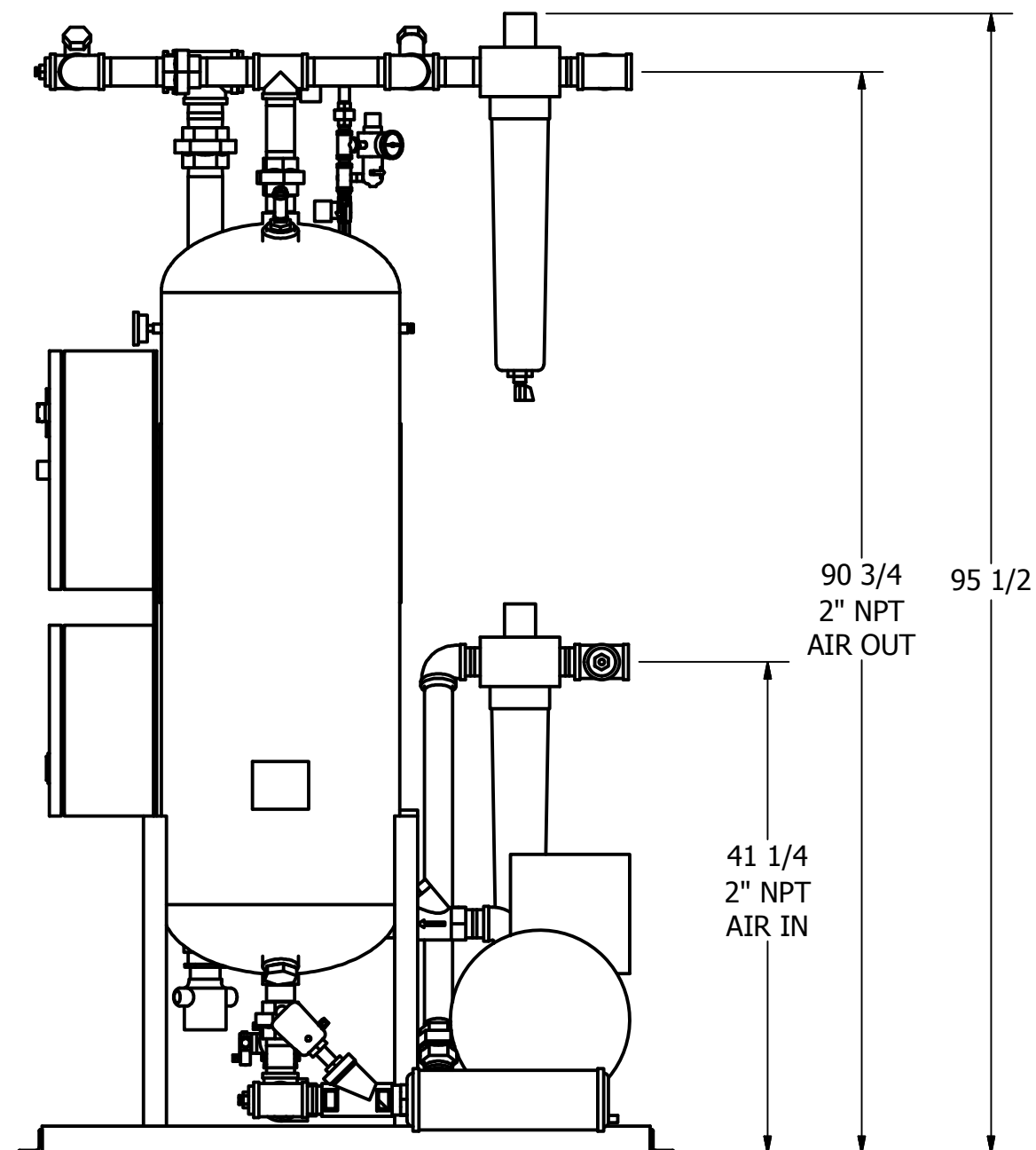
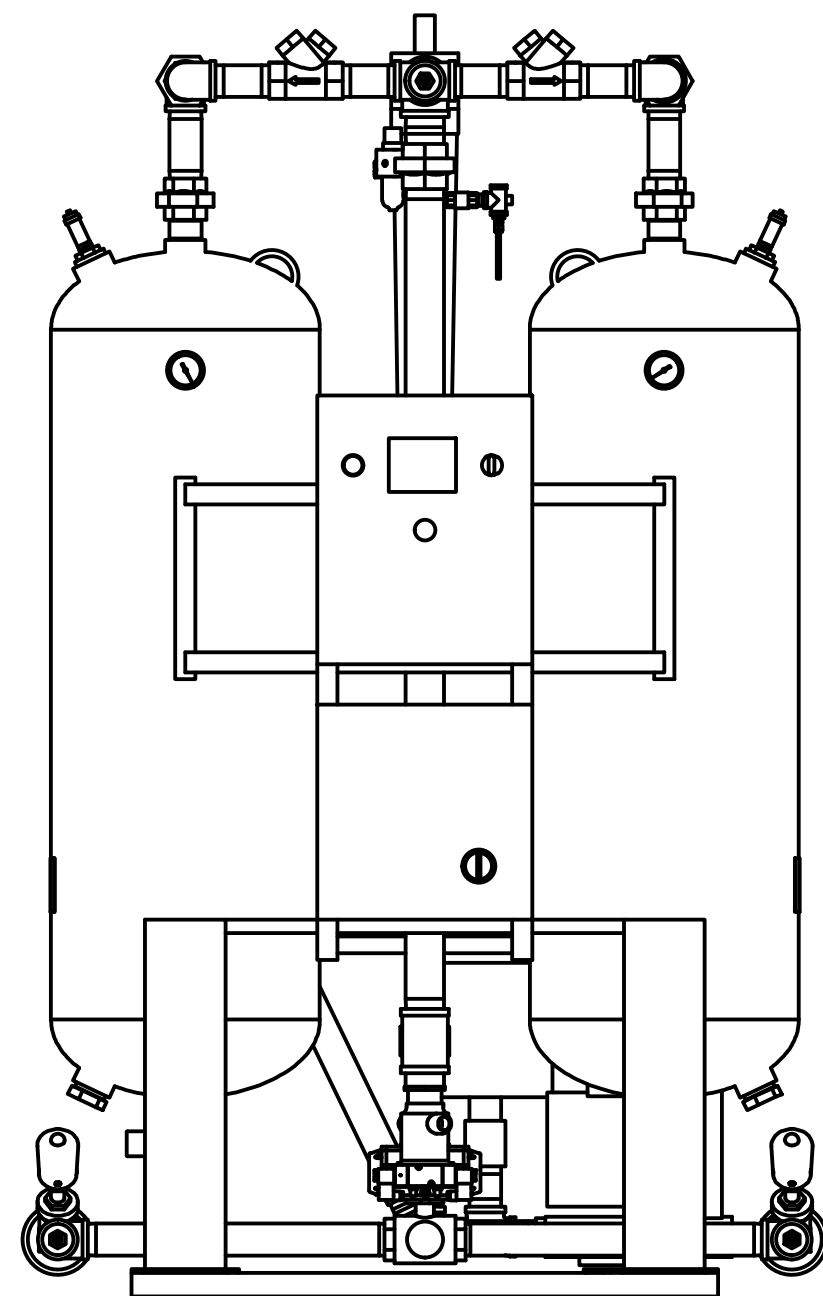
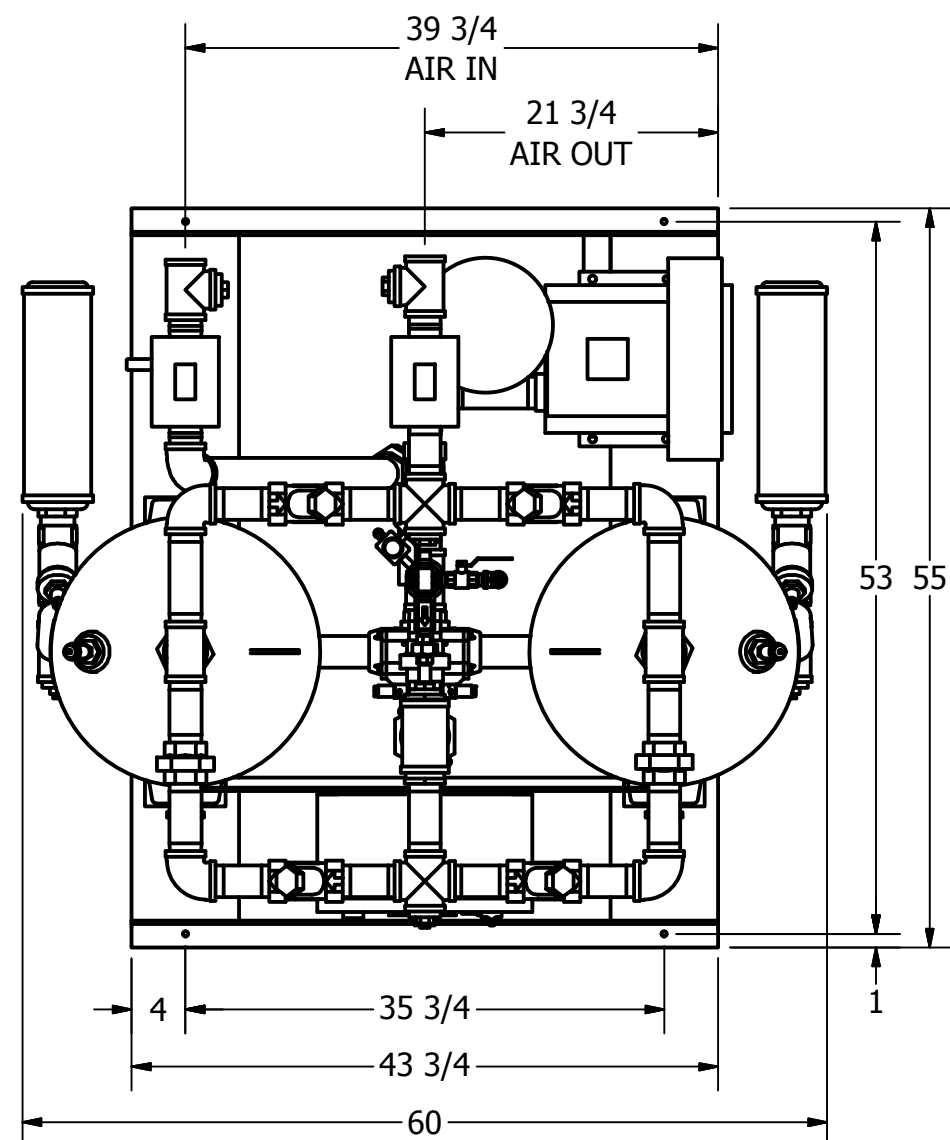
REV.
C

DRAWN: MR
 CHECKED:

DATE: 3/25/2015
 DATE:

SCALE: N/A

SHEET: 1 OF 2



PRELIMINARY



HBP-0550-4 BLOWER PURGE DESICCANT AIR DRYER GENERAL ARRANGEMENT

TOLERANCES UNLESS
OTHERWISE SPECIFIED:

FRACTIONS = ± 1/4 "
ANGLES = ± 3°
INCHES = ± 1/2 "
FINISH = 250

THE SPECIFICATIONS AND DRAWINGS DISCLOSED HEREIN ARE THE SOLE PROPERTY OF ALTEC AIR, AND SHALL NOT BE COPIED OR USED AS THE BASIS FOR SALE OR MANUFACTURE WITHOUT EXPRESS WRITTEN PERMISSION.

REVISION LOG

| REV. | ECO. | DESCRIPTION | DATE | APPROVED |
|------|------|--------------------|------------|----------|
| C | 1190 | PRODUCTION UPDATES | 10/18/2021 | WS |

DRAWING NO.

AT20-552

REV.
C

DRAWN: MR
CHECKED:

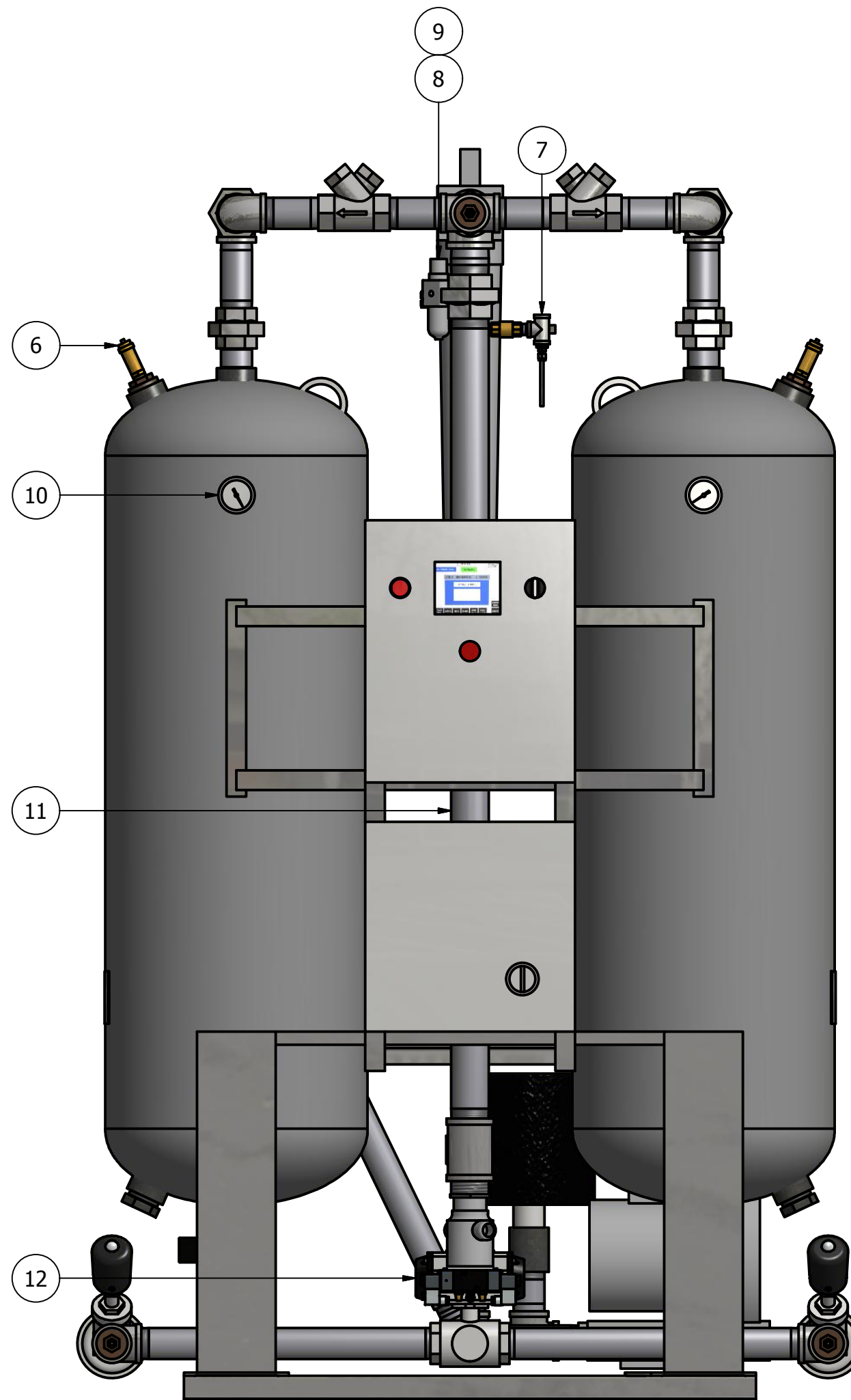
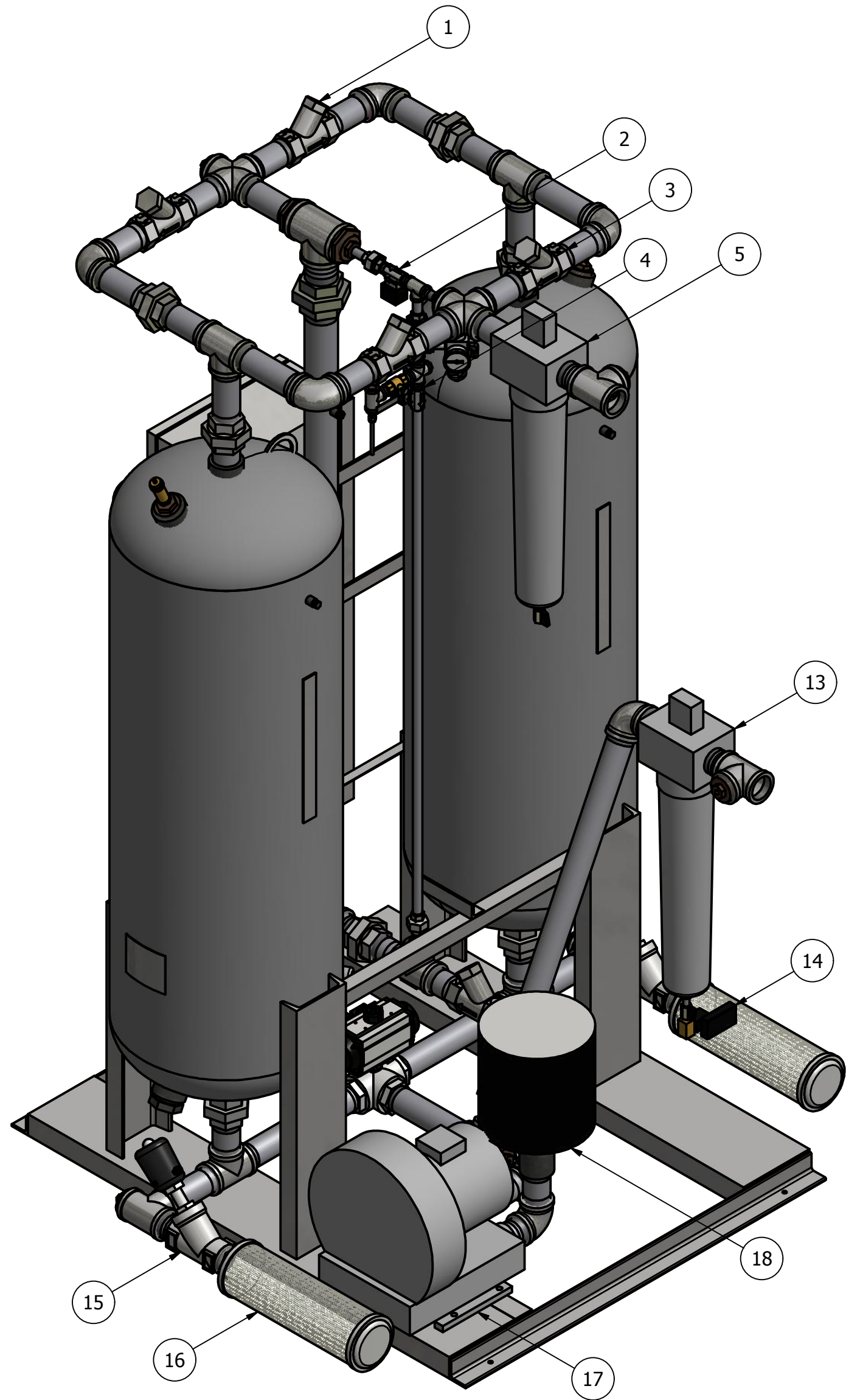
DATE: 3/25/2015
DATE:

SCALE: N/A

SHEET: 2 OF 2

PARTS LIST

| ITEM | QTY | DESCRIPTION |
|------|---------|------------------------------|
| 1 | 2 | CHECK VALVE, PURGE |
| 2 | 1 | SOLENOID, REPRESS |
| 3 | 2 | CHECK VALVE, OUTLET |
| 4 | 1 | SOLENOID, 2% |
| 5 | 1 | PARTICULATE AFTER-FILTER |
| 6 | 2 | RELIEF VALVE, TANK |
| 7 | 1 | DEW POINT MONITOR (OPTIONAL) |
| 8 | 1 | PRESSURE REGULATOR, CONTROL |
| 9 | 1 | PRESSURE GAUGE, CONTROL |
| 10 | 2 | PRESSURE GAUGE, TANK |
| 11 | 1 | 12 KW HEATER |
| 12 | 1 | 3 WAY BALL VALVE, INLET |
| 13 | 1 | COALESCER PRE-FILTER |
| 14 | 1 | TIMED DRAIN |
| 15 | 2 | ANGLE BODY VALVE, EXHAUST |
| 16 | 2 | MUFFLER, EXHAUST |
| 17 | 1 | 3 HP BLOWER |
| 18 | 1 | FILTER, BLOWER |
| 19 | 820 LBS | DESICCANT |



PRELIMINARY